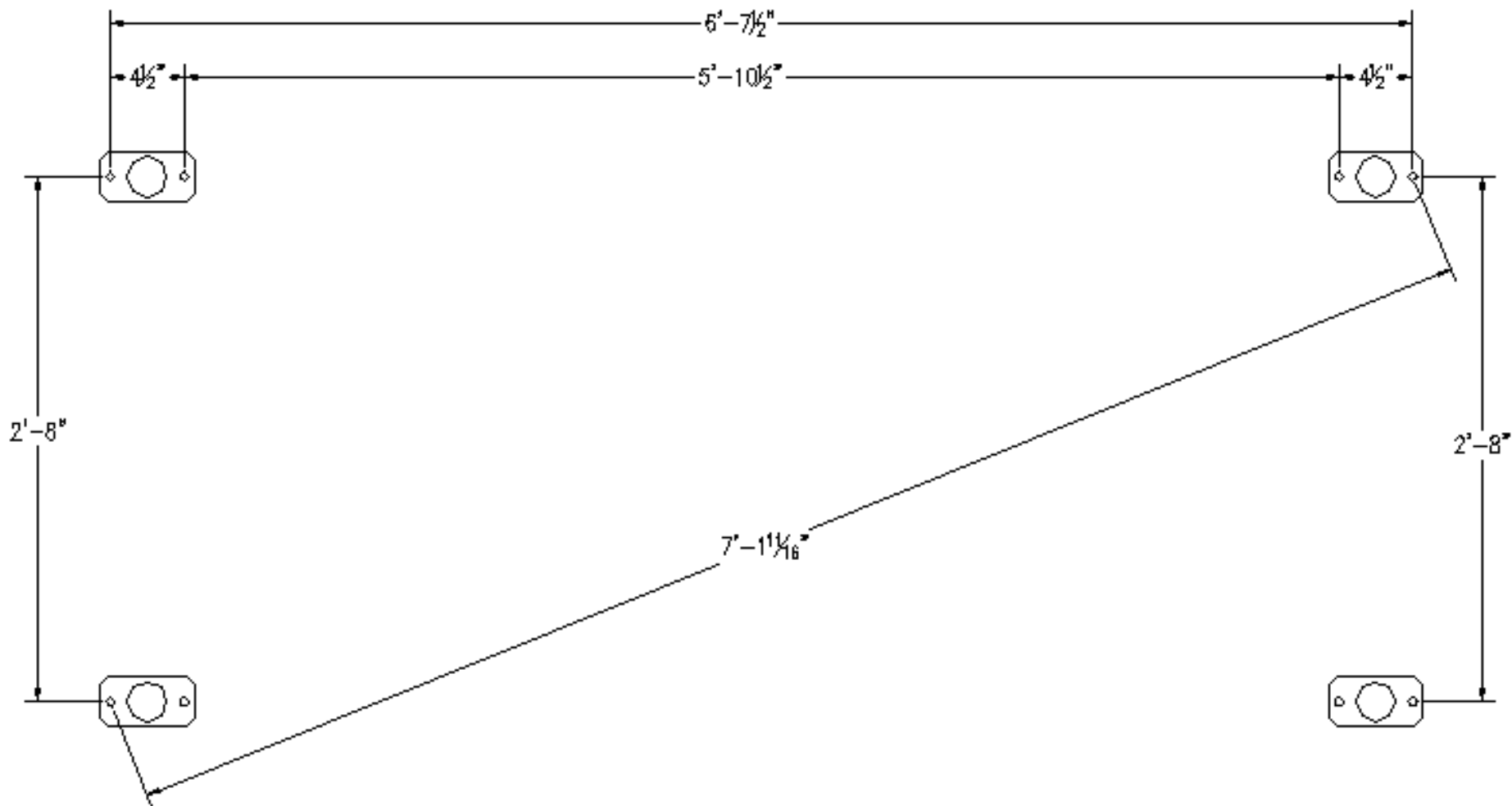


HORSE STOCK ASSEMBLY INSTRUCTIONS

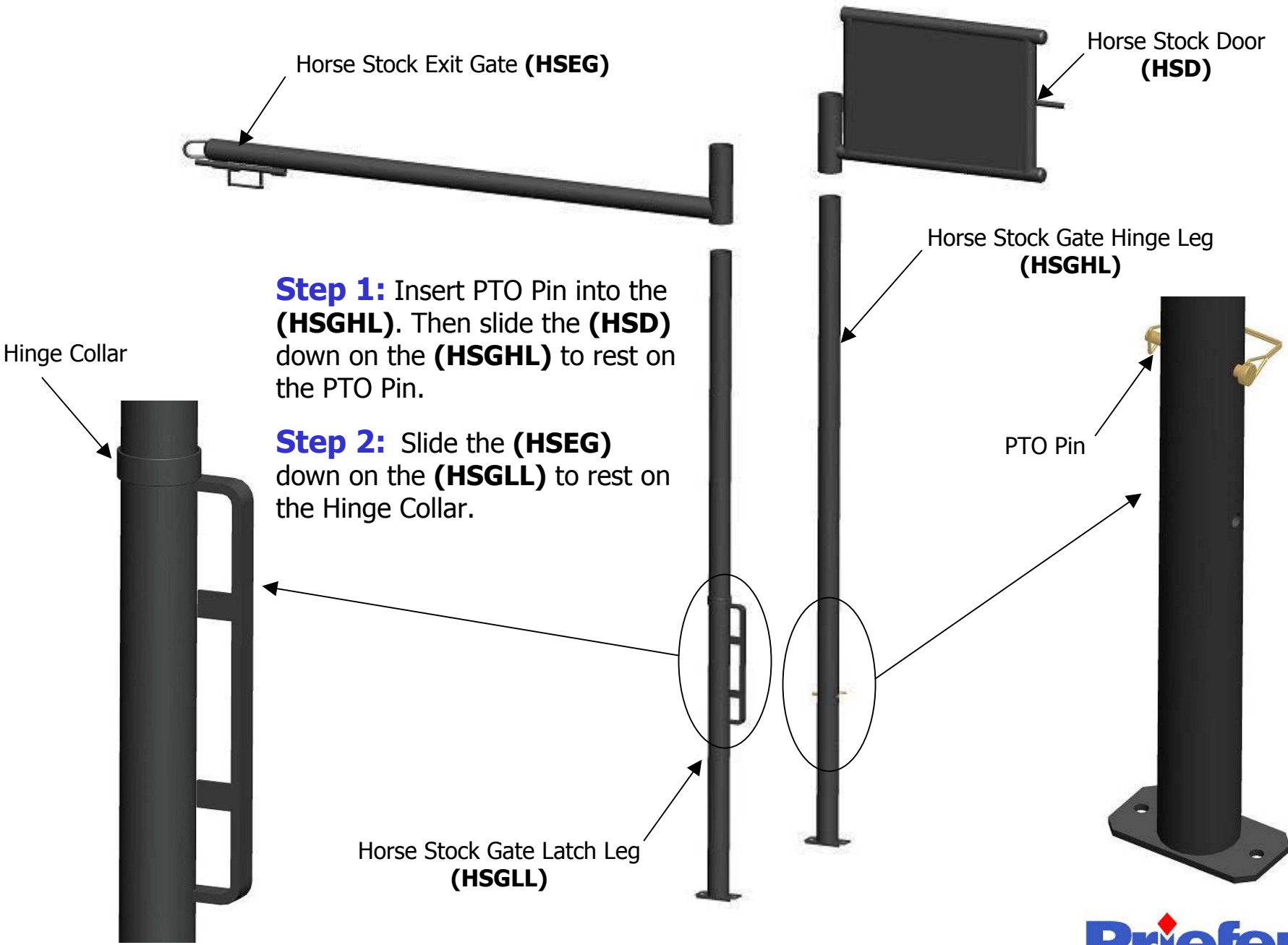


HORSE STOCK ASSEMBLY INSTRUCTIONS

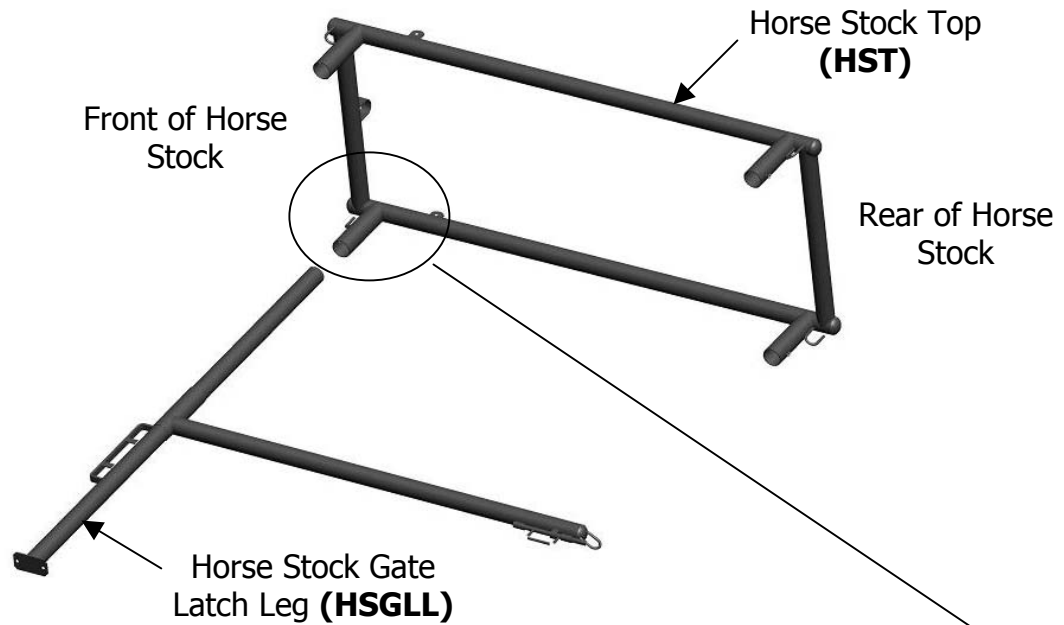


ANCHOR BOLT LAYOUT DIMENSIONS

HORSE STOCK ASSEMBLY INSTRUCTIONS



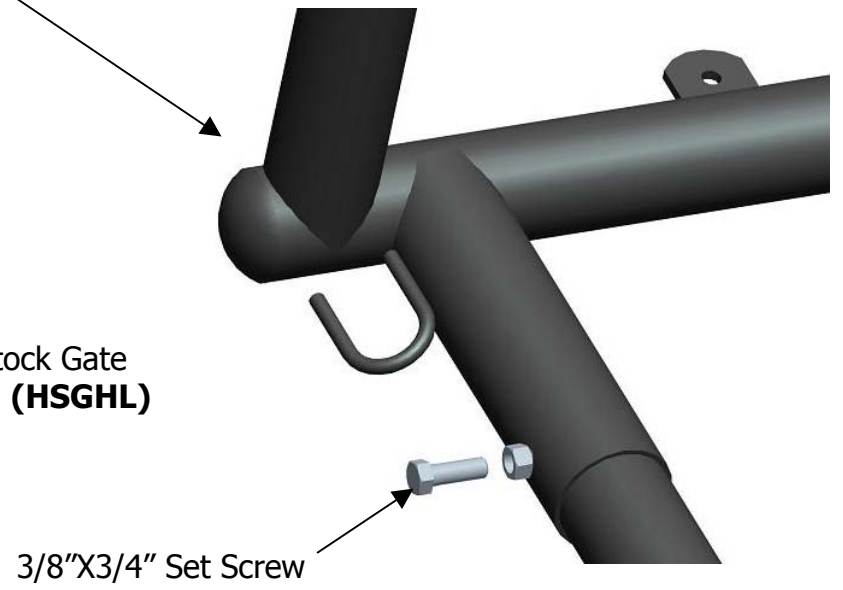
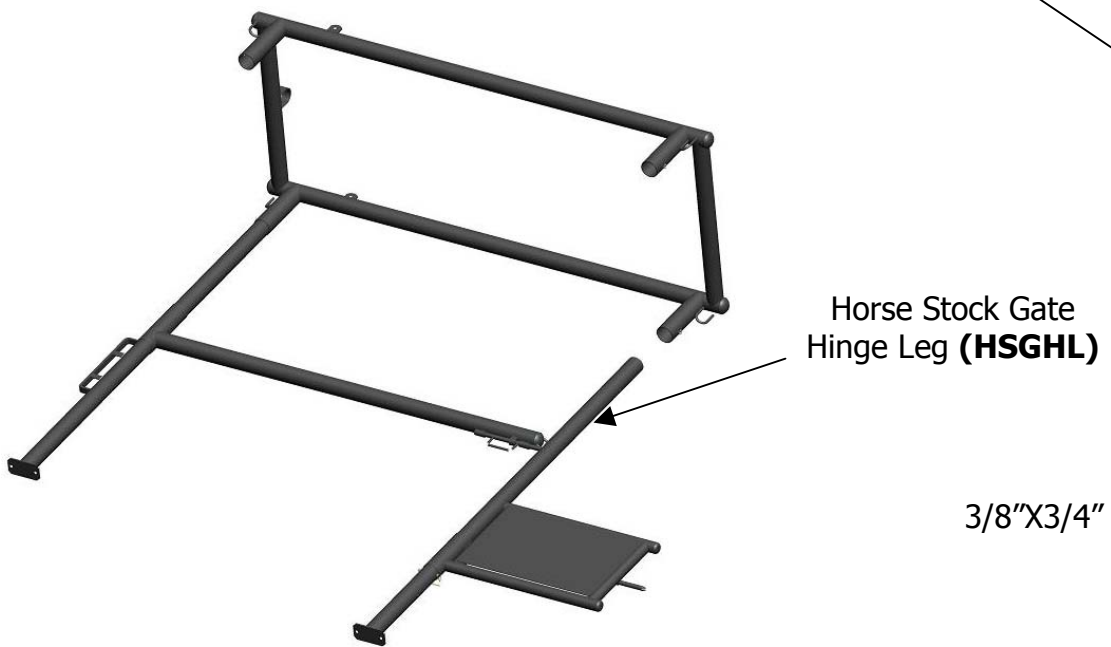
HORSE STOCK ASSEMBLY INSTRUCTIONS



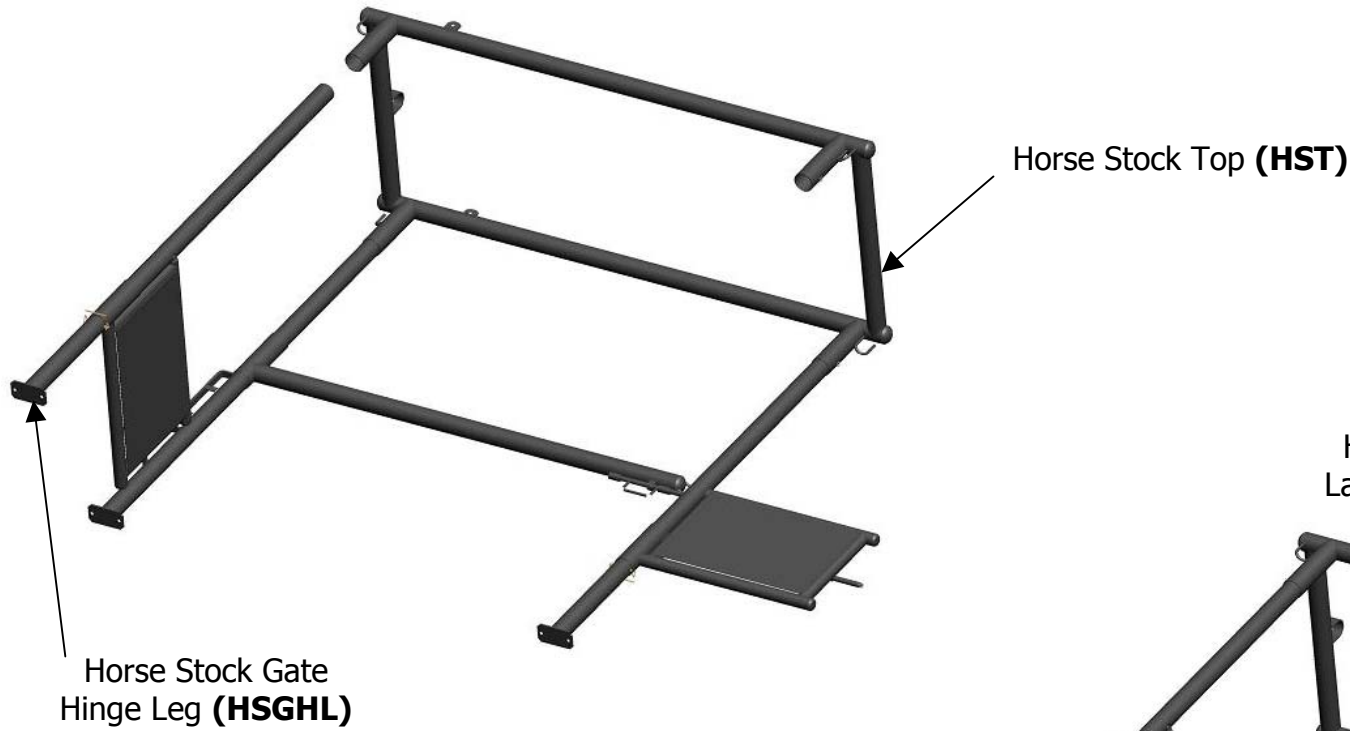
Step 3: Lay the (HST) on the ground and turn it up on it's side.

Step 4: Insert the (HSGLL) into the (HST) and secure it with the 3/8"X3/4" Set Screws provided.

Step 5: Insert the (HSGHL) into the (HST) and secure it with the 3/8"X3/4" Set Screws provided.

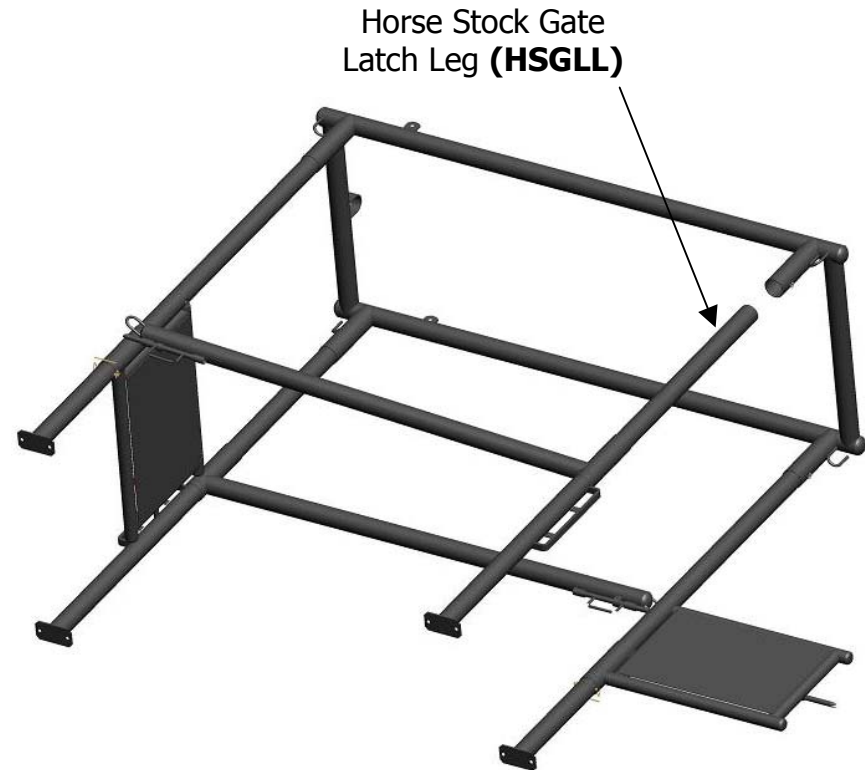


HORSE STOCK ASSEMBLY INSTRUCTIONS

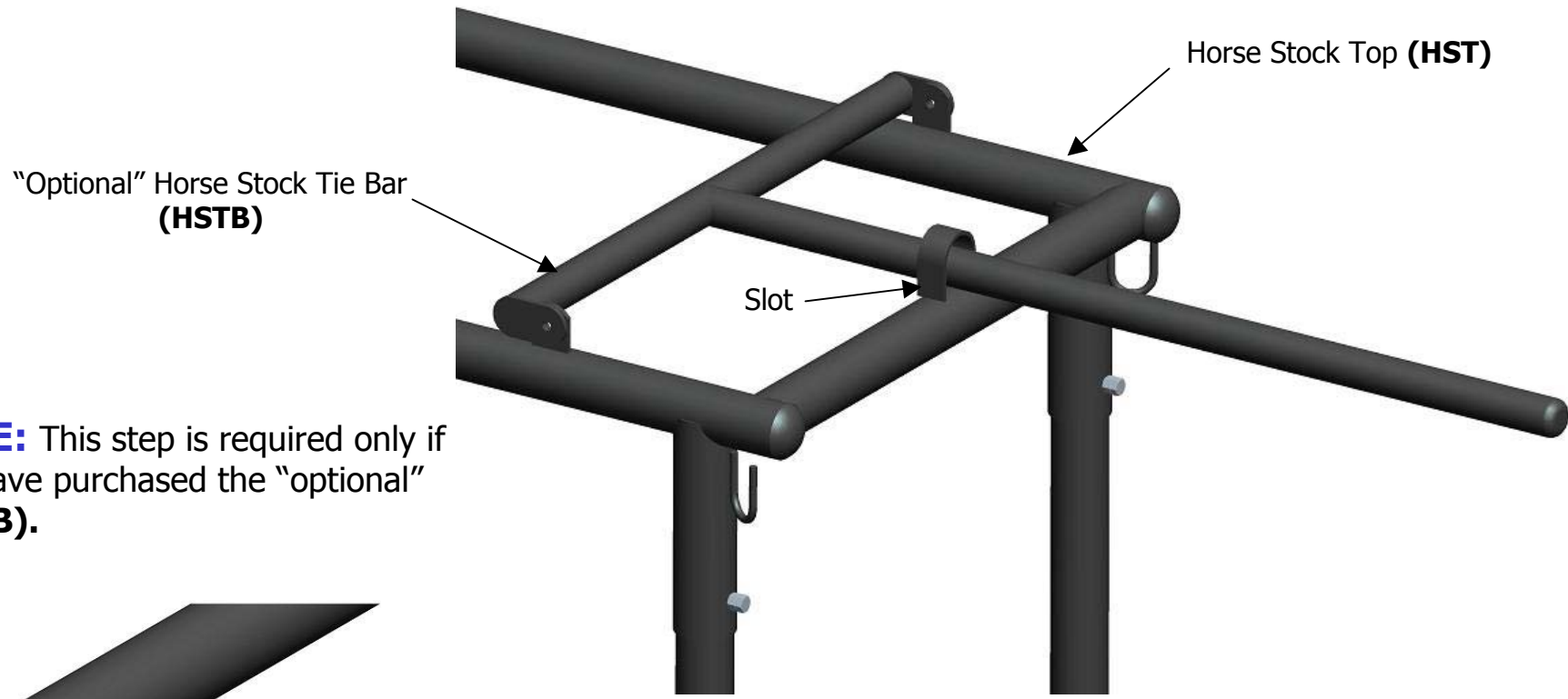


Step 6: Insert the other (**HSGHL**) into the (**HST**) and secure it with the 3/8"X3/4" Set Screws provided.

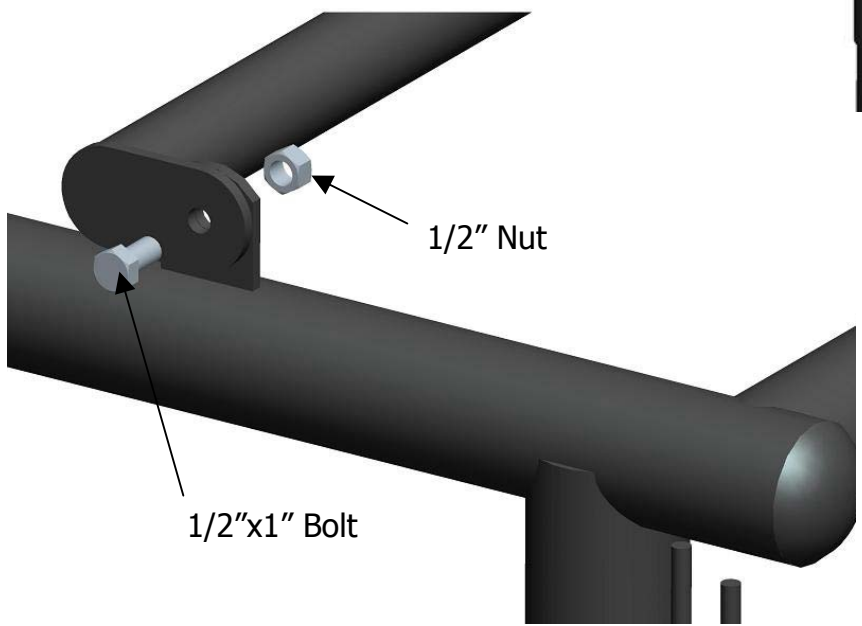
Step 7: Insert the other (**HSGLL**) into the (**HST**) and secure it with the 3/8"X3/4" Set Screws provided. This concludes the Horse Stock installation process.



HORSE STOCK ASSEMBLY INSTRUCTIONS



NOTE: This step is required only if you have purchased the "optional" (HSTB).



Step 8: Insert the (HSTB) through the slot provided on the front of the (HST). Then secure it with the 1/2"x1" bolts & nuts provided. This concludes the Horse Stock Tie Bar installation process.

Thank you for choosing a Priefert™ Product.