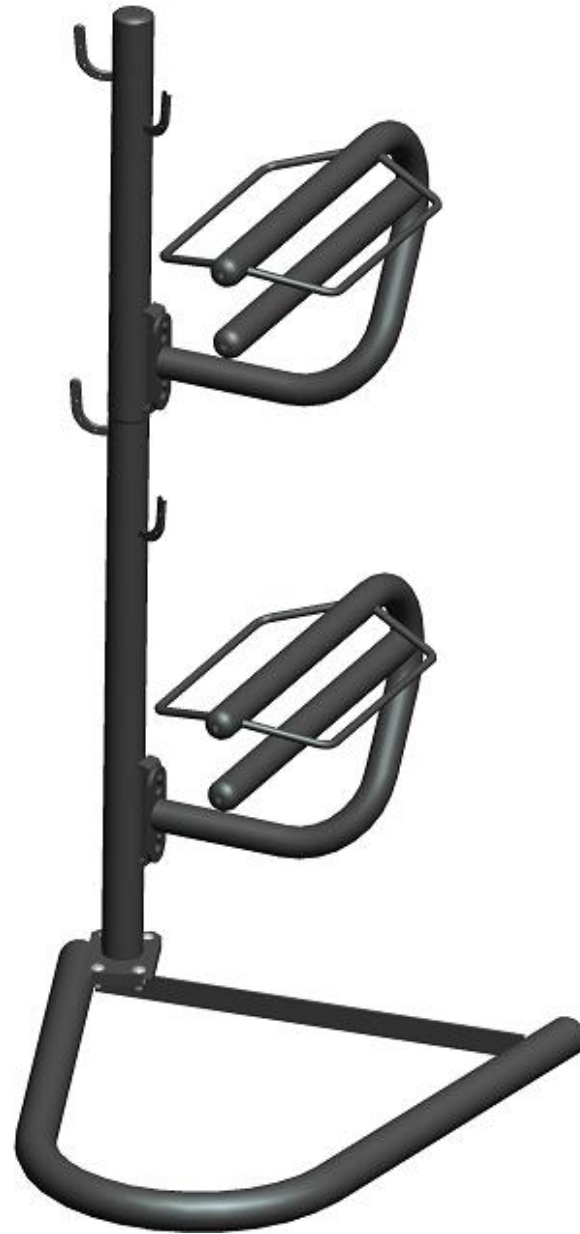
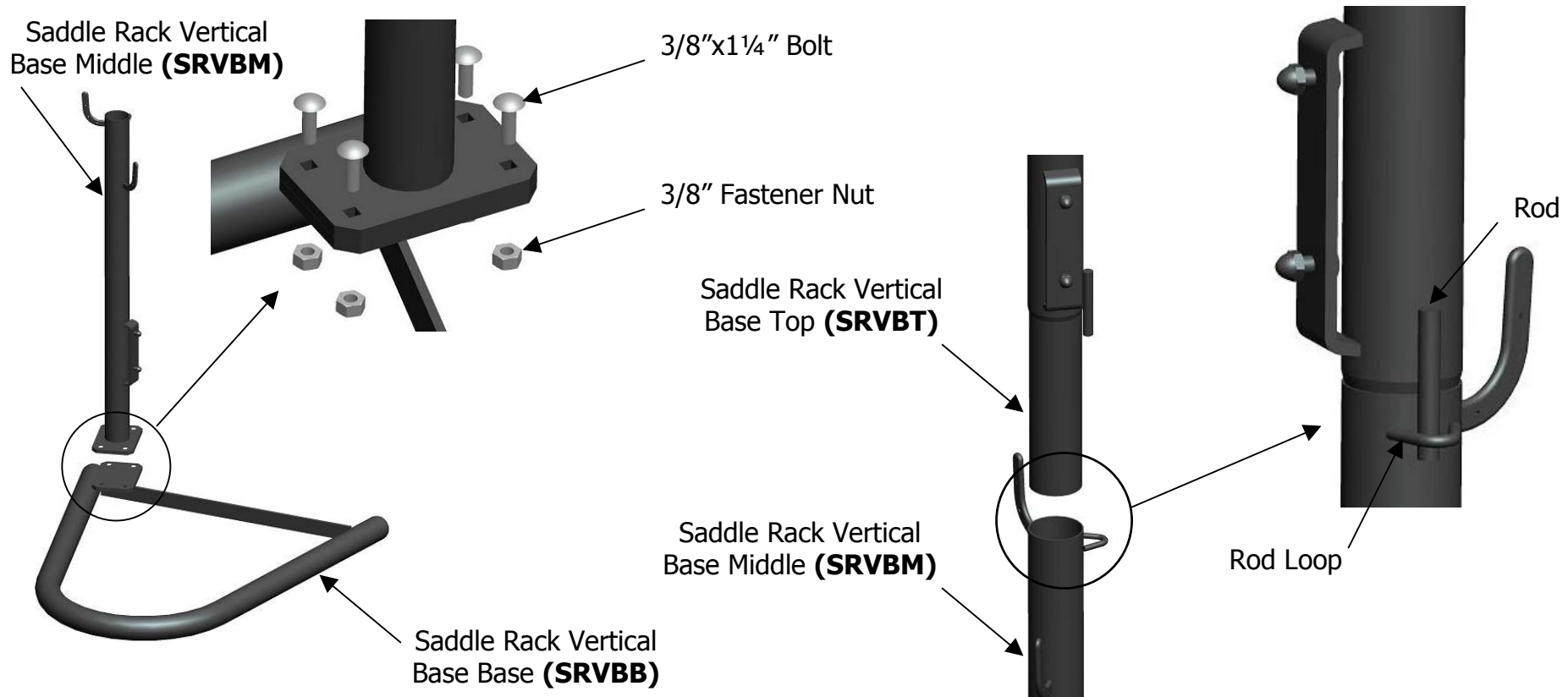


VERTICAL SADDLE RACK INSTRUCTIONS



Two saddle vertical rack shown (SRV2)

VERTICAL SADDLE RACK INSTRUCTIONS

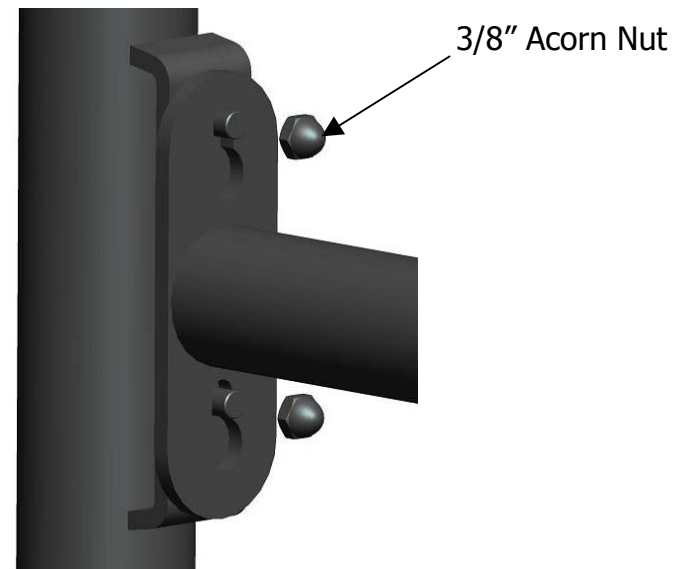
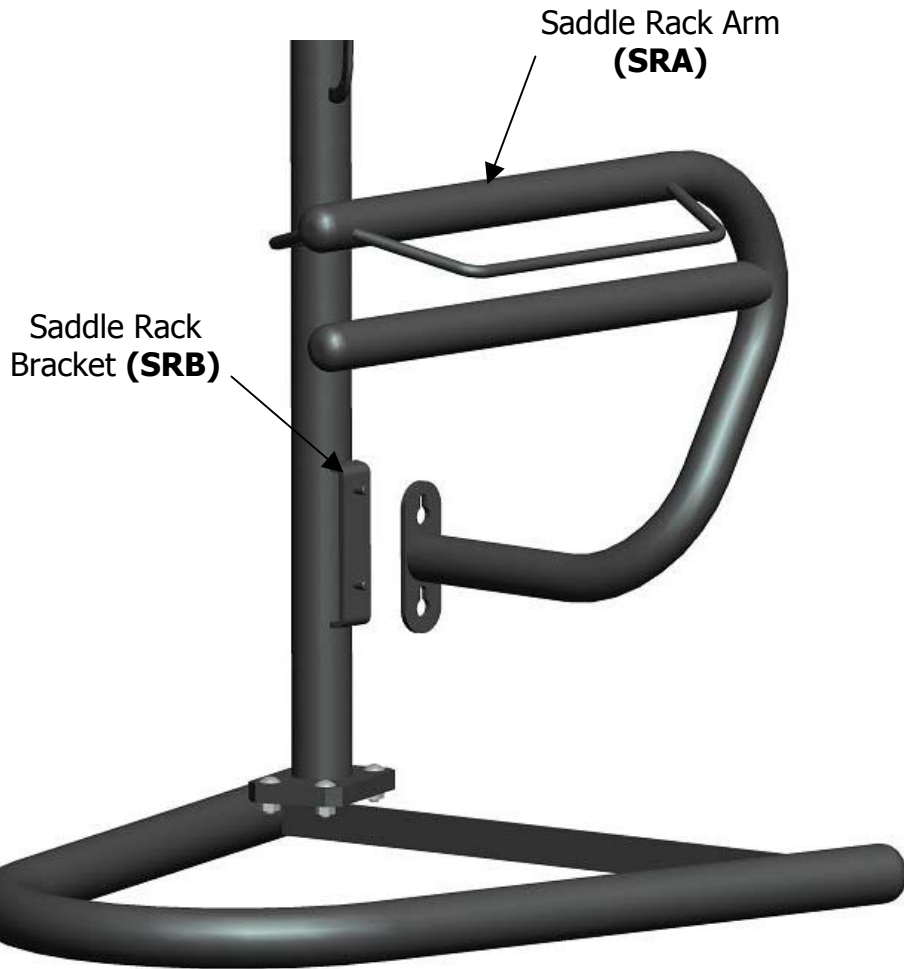


Step 1: Take the **(SRVBB)** and lay it flat on the ground as shown.

Step 2: Take the **(SRVBM)** and align the holes in the bottom plate with the holes in the plate on the **(SRVBB)**. Secure it with the 3/8"x1 1/4" bolts provided.

Step 3: Take the **(SRVBT)** and slide it down into the **(SRVBM)** until the Rod fits down into the Rod Loop.

VERTICAL SADDLE RACK INSTRUCTIONS



Step 4: Remove the 3/8" acorn nuts from the (SRB), then place the (SRA) onto the bolts.

Step 5: Secure it with the 3/8" acorn nuts previously removed.

NOTE: The next step is only required if you have purchased the two saddle vertical saddle rack.

Step 6: Attach the (SRA) to the upper (SRB) as explained earlier in steps 4 & 5.

Thank you for
choosing a Priefert™
Product.